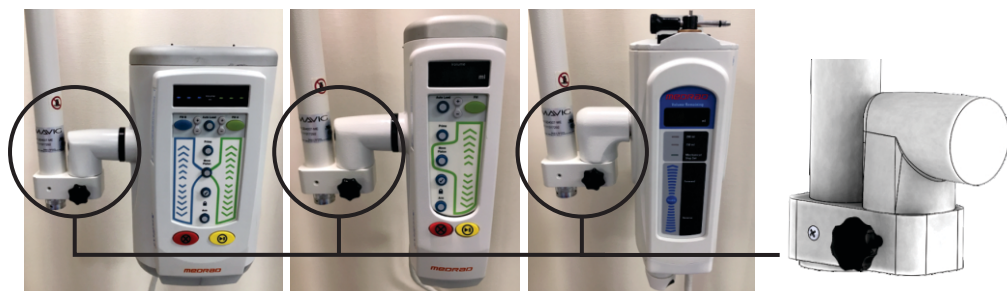
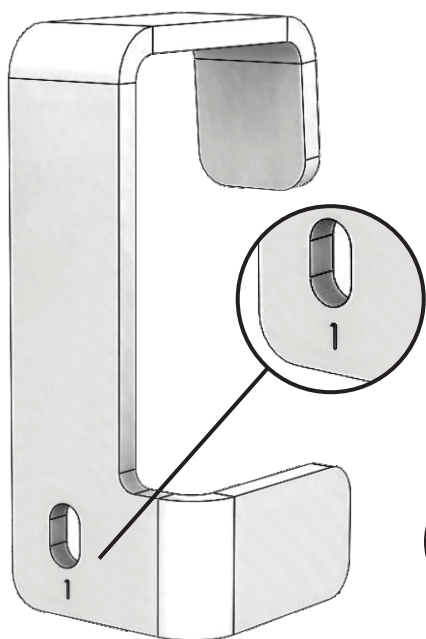


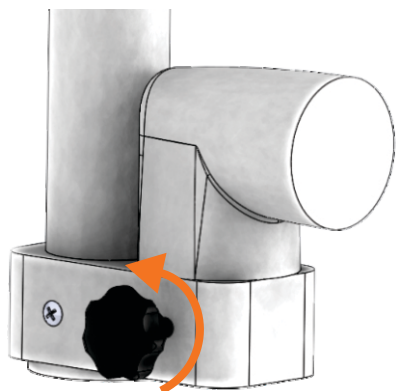
**MEDRAD®** Stellant  
CT Injection System

**MEDRAD®** Mark V ProVis  
Angiographic Injection System

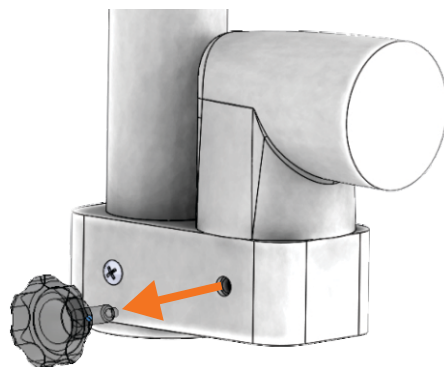
1



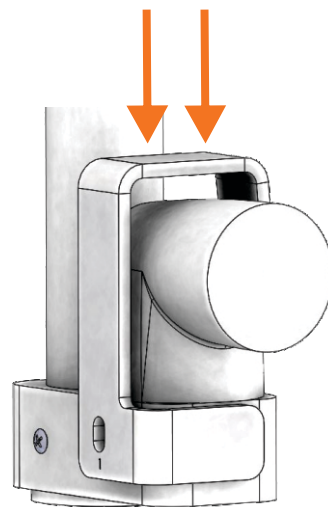
1



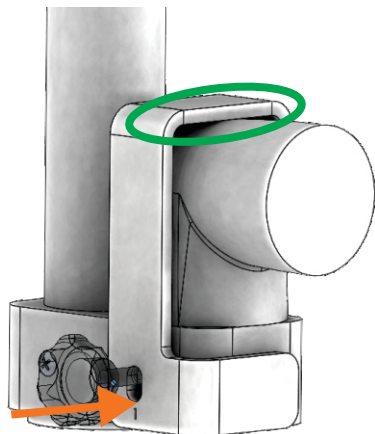
2



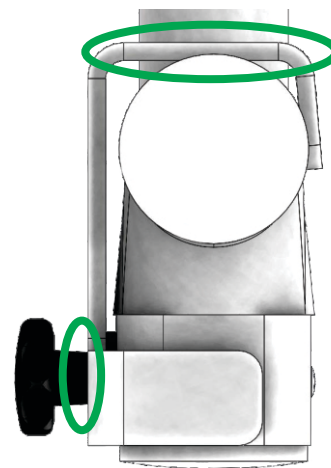
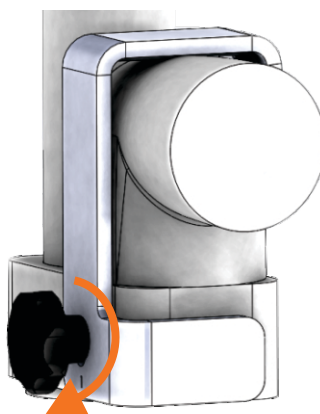
3



4

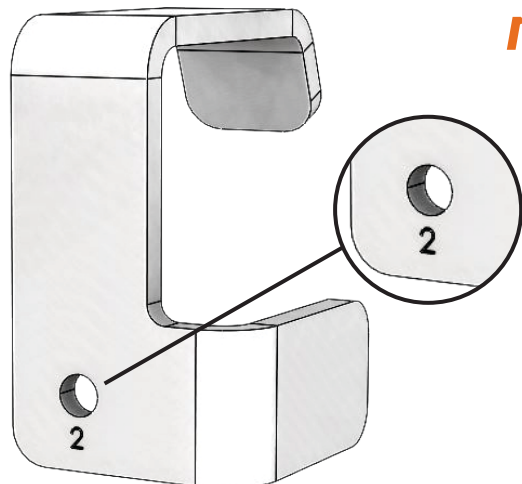


5

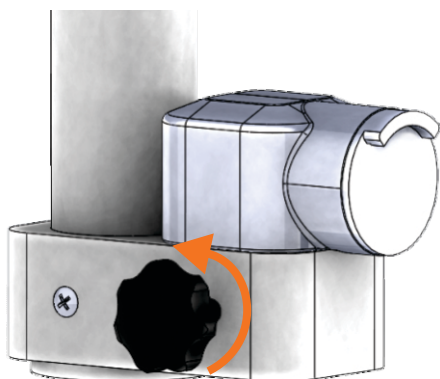


**medRAD**® Mark 7 Arterion  
Injection System

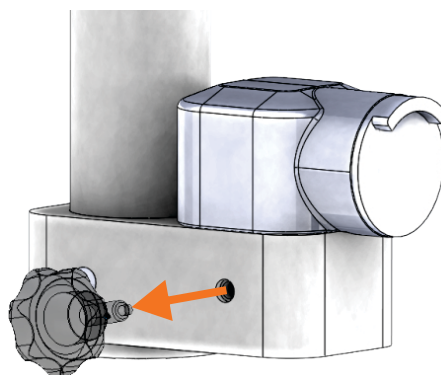
2



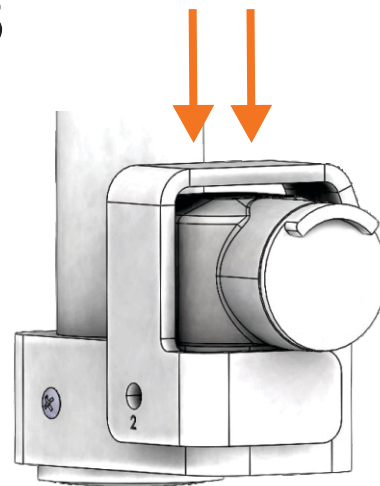
1



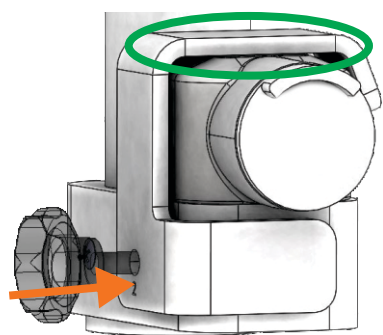
2



3



4



5

